

## FEATURES

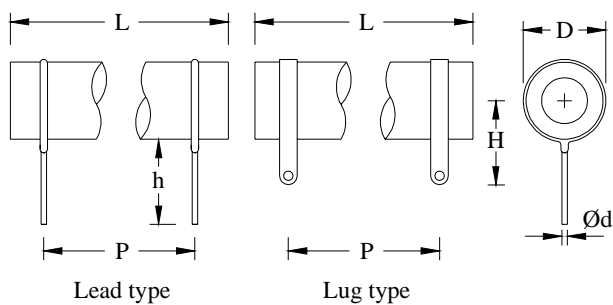
- \* WATTAGES FROM 1 WATT TO 25 WATTS
- \* RANGE FROM 0.1 OHM TO 15K OHMS
- \* SILICONE / FLAME RETARDANT COATED
- \* STANDARD / NON - INDUCTIVE TYPE
- \* ANY SPECIAL DESIGN ON REQUEST



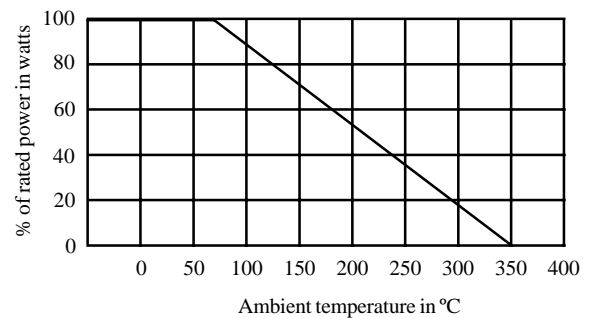
## CHARACTERISTICS

Tolerance	±5% & ±10% (closure tolerances also available)
Temperature coefficient	±200PPM/°C
Power dissipation	Rated at 70°C and derate linearly to 0 power at 350°C
Load life stability	±5% (after full load dissipation for 1000 hrs.)
RCWV	$\sqrt{\text{Rated power} \times \text{resistance value}}$ (RCWV - Rated Continuous Working Voltage)

## DIMENSIONS(mm)



## DERATING CURVE



## TECHNICAL SPECIFICATIONS

Type no.	Watts at 70°C	Ohmic range		Mechanical dimensions(mm)							
		Min	Max	L±2.0	P±1.0	ØD±0.5	Ød±0.1	W±0.5	H±2.0	t±0.2	h±1.0
VPRL1	1	0R1	2K2	18	12	7	0.8	---	---	---	25
VPRL2	2	0R1	4K7	25	17	8	0.8	---	---	---	25
VPRL3	3	0R1	6K8	20	13	10	0.8	---	---	---	25
VPRL5	5	0R1	10K	30	22	10	0.8	---	---	---	25
VPRL5A	5	0R1	10K	25	17	12	1.0	---	---	---	25
VPRL10	10	0R1	15K	45	37	10	0.8	4.0	12.0	0.7	30
VPRL10A	10	0R1	15K	45	37	12	1.0	4.0	13.0	0.7	30
VPRL15	15	0R1	15K	40	32	15	1.0	4.0	15.0	0.7	30
VPRL20	20	0R1	15K	50	42	15	1.0	4.0	15.0	0.7	30
VPRL25	25	0R1	15K	61	50	18	1.2	4.0	20.0	0.7	30