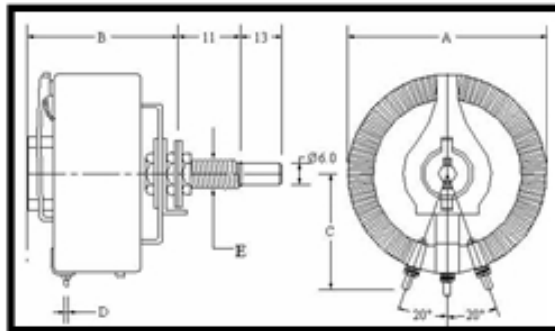


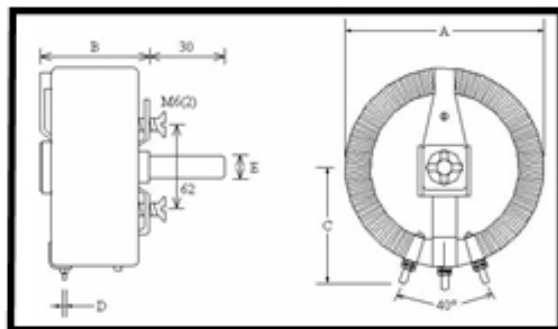
**Application :**

VEPL VRC-S series are used in Load stimulations, Industrial machinery RPM adjustment, Voltage and current adjustment, Instruments and automated control installations.  
For custom specifications, please contact us to discuss the details



**TECHNICAL SPECIFICATIONS**

Type	Wattage @ 25°C	Resistance Range W		Dimensions in mm				
		Min	Max	A	B	C	D	E
VRC-S25	25W	1R	1K	40	46	28	M3	9.5φ
VRC-S50	50W	1R	1K5	60	46	38	M3	9.5φ
VRC-S100	100W	2R2	2K2	80	56	50	M4	9.5φ
VRC-S150	150W	2R2	3K3	105	56	63	M4	9.5φ
VRC-S200	200W	2R7	4K7	105	75	63	M4	9.5φ



**TECHNICAL SPECIFICATIONS**

Type	Wattage @ 25°C	Resistance Range W		Dimensions in mm				
		Min	Max	A	B	C	D	E
VRC-S300	300W	3R	5K6	152	45	90	M4	10φ
VRC-S400	400W	4R	6K8	152	55	90	M4	10φ
VRC-S500	500W	5R	10K	152	65	90	M4	10φ