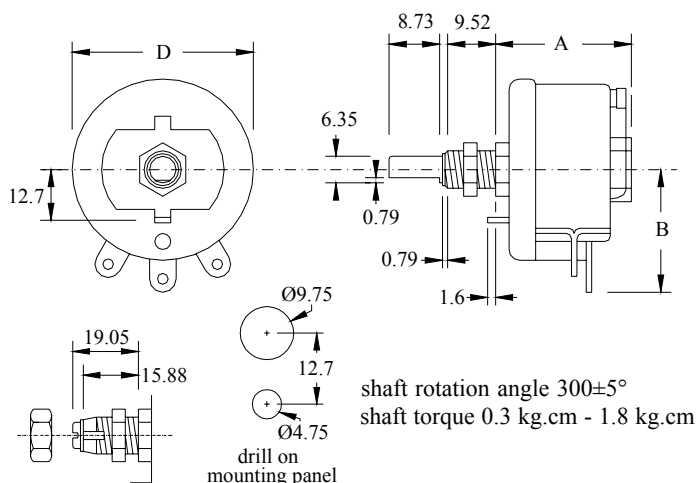


# Rheostats (wirewound potentiometers)

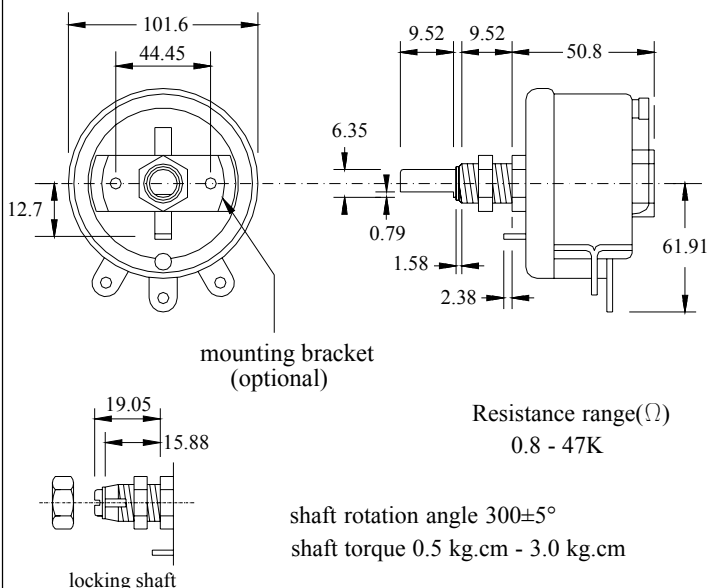
## Models vrc25, vrc50, vrc75, vrc100



**Mounting:** Panels to 6.35 mm thick with 9.52-32 TPI bush and hex. nut 2.39 mm thick

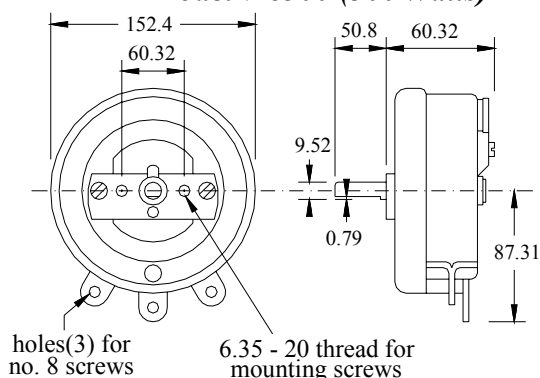
Model	Wattage Watts	Resistance( $\Omega$ ) min	max	A mm	B mm	D mm
VRC25	25	0.5	10K	34.93	24.61	39.69
VRC50	50	0.5	15K	34.93	39.62	58.67
VRC75	75	0.8	27K	44.45	45.21	69.25
VRC100	100	0.8	33K	44.45	48.51	79.38

## Model vrc150 (150 Watts)



**Mounting:** Panels to 6.35 mm thick with 9.52-32 TPI bush and hex. nut 2.39 mm thick or with 4.76-32 TPI flat headed screws

## Model vrc300 (300 Watts)



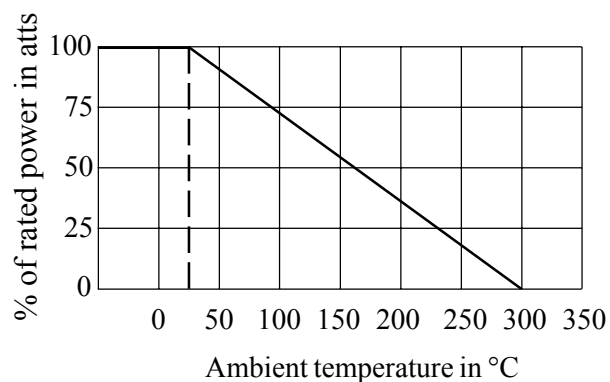
Resistance range( $\Omega$ )  
1.0 - 47K

shaft rotation angle  $320 \pm 5^\circ$   
shaft torque 2.5 kg.cm - 5.5 kg.cm

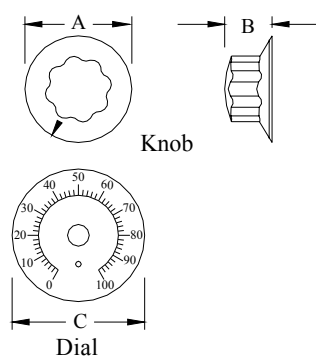
**Mounting:** Panels to 12.7mm thick with 6.35 - 20 TPI flat headed hex. bolts

## DERATING

All rheostats are rated at an ambient temperature of  $25^\circ\text{C}$ . Derate linearly to 0 power at an ambient temperature of  $300^\circ\text{C}$  as shown



## DIALS AND KNOBS



Model	A mm	B mm	C mm
vrc25			
vrc50			
vrc75	38.10	19.05	57.15
vrc100			
vrc150			
vrc300	76.20	26.19	101.60

The dimensions shown are approximate and the original component dimensions may have little deviations

Tapered winding, tandem mounting and custom based designs also available

Rheostats of 10W, 500W and 1000W are under development

We have right to modify our data sheets at any time to improve quality without prior notice